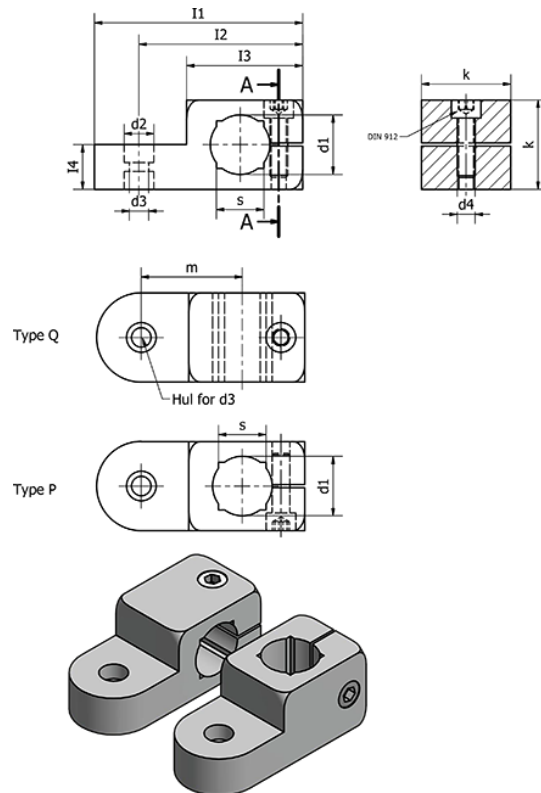


Data Sheet



Article number: 20482B1625PELS
 Description: E+G Swivel clamp
 GN 482-B16-25-P-ELS

Measures



	= -	l1	= 62
	= -	l3	= 49.5
Clamping kit for d3 = GN 511.1-M6-25-S/K		l4	= 12.5
Clamping kit for d4 = GN 511-M6-25		k	= 25
d1	= 16	m	= 29
d2	= 10	s	= -
d3	= 6.5	Weight (g)	= 69
d4	= M6		